

PIEZO BUZZER

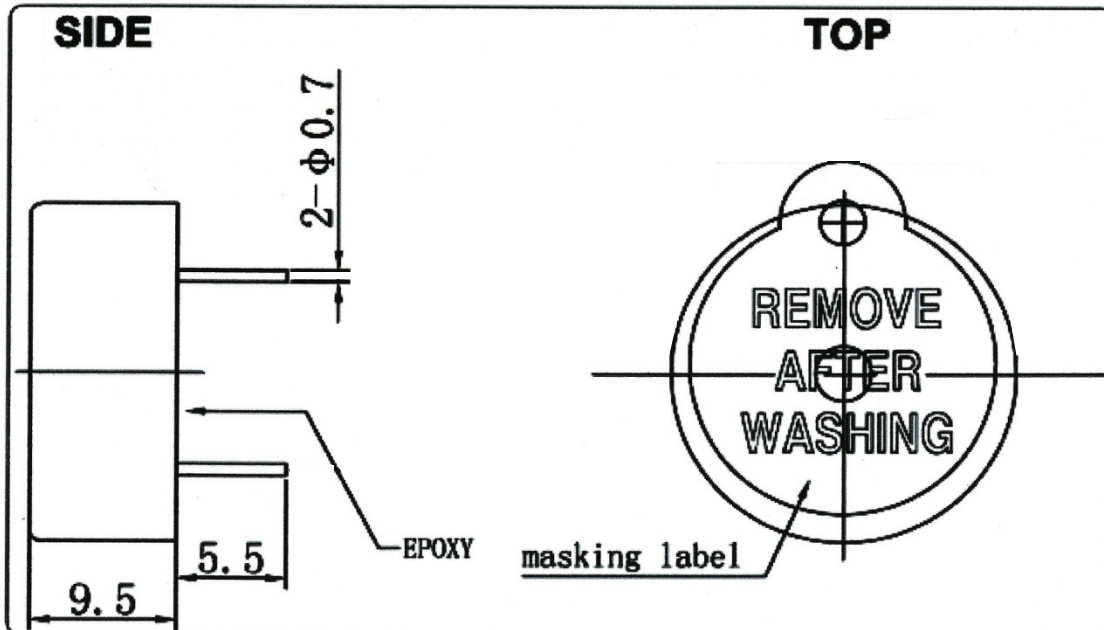
PART NUMBER: CPM202S

1. SPECIFICATIONS

PARAMETERS	VALUES	UNITS
*MIN SOUND PRESSURE LEVEL AT 30 CM	84	dB
RATED VOLTAGE	12	Vdc
OPERATING VOLTAGE	3 - 24	Vdc
RESONANCE FREQUENCY	3,300 ± 500	Hz
*MAX CURRENT	15	mA
tone	Continuous	-
OPERATING TEMPERATURE	-20 to +70	°C
STORAGE TEMPERATURE	-30 to +80	°C
HOUSING	NORYL	-
WEIGHT	3	g

*Value applying rated voltage

2. DIMENSIONS (unit in mm)



Tolerance: ±0.5mm except specified

VERSION: 02

All specifications subject to change without notice